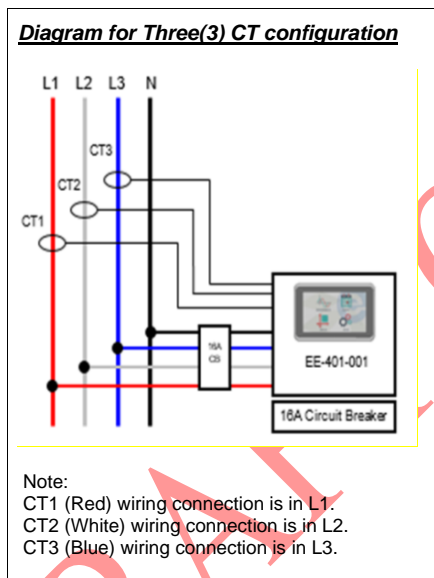


STEP 7. CT INSTALLATION / ROGOWSKI INSTALLATION

1. For three (3) CT setup, see page 35.

**IMPORTANT: POSITION AND DIRECTION OF THE CT MUST BE CORRECT.
SEE DRAWING BELOW.**

(Please include the direction of CT in the drawing)



CAUTION

1. For wire colour coding, follow the country standard.
2. USB port is not designed to be used as a charging port, this is only for wireless modem.

IMPORTANT: If the Neutral is not connected or disconnects at any time, the control module will be operating but there will be no power factor correction because the modules will not be working. The power module will be disabled and the module indicator LED lights will be extinguished.